



**RAPP HYDEMA SYD**



## **MAXIHAULER HMH07**

**ADJUSTABLE TENSION ROLLER**

**DOUBLE SPEED**

# MAXIHAULER HMH-07



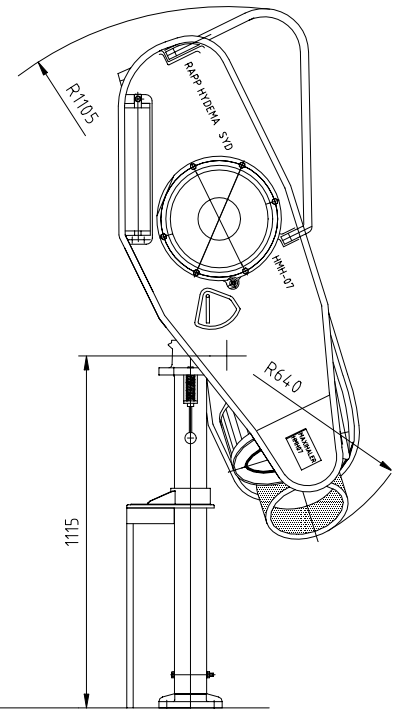
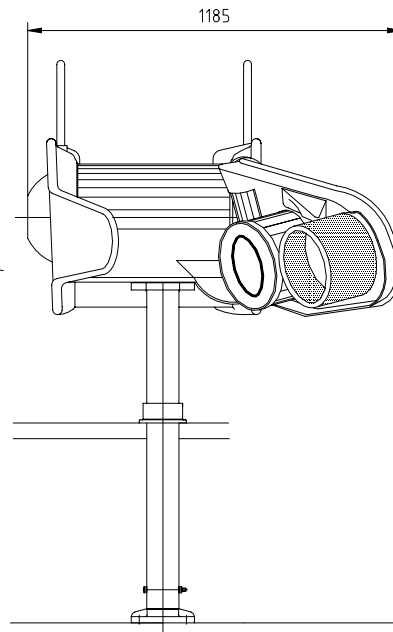
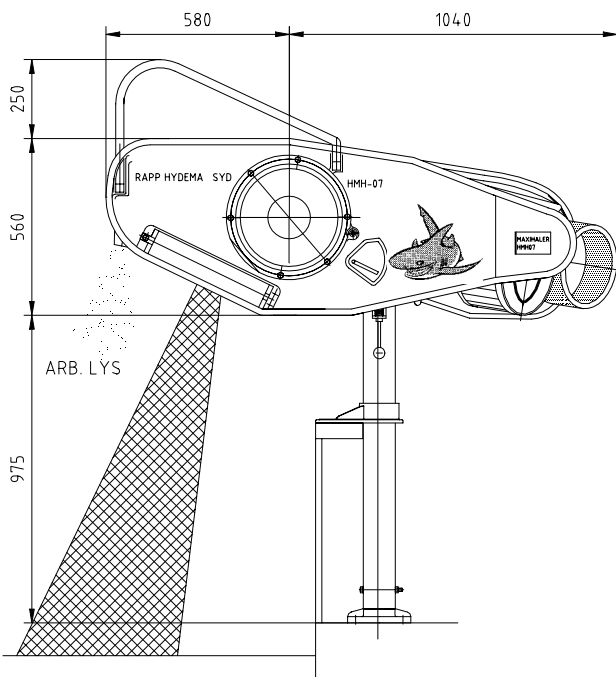
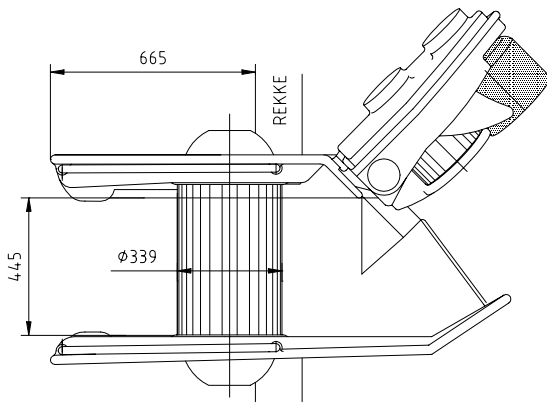
**MAXIHAULER HMH-07** is developed with basis in previous models. It gives the fishermen greater possibilities to adjust the hauler as they want it, and is adapted modern gill net fishing.

**ADJUSTABLE TENSION ROLLER** can be adjusted smoothly. This lets the catch pass more easy, and the fish will be treated more gently.

**DOUBLE SPEED** is useful when pulling ropes or empty nets. This function saves time when speed, and not pull, is important to the user.

**NEW DESIGN ON THE RAIL ROLLER.** The roller has both a new shape, and is equipped with working light. The light falls directly on the net and catch when it comes up from the sea. The lead rollers is mounted beneath the rail roller, to avoid twist, wear and tear.

**COMPACT POWER** wich is measured outside the rail of the vessel is 700 kp. This hauler is more compact than previous models. With it's adjusting possibilities and double speed function, it will increase efficiency on board.



**RAPP HYDEMA SYD**

<b>PULL</b>	<b>700 kp</b>
<b>HAULING SPEED</b>	<b>43/83 m/min</b>
<b>AMOUNT OF OIL</b>	<b>40 l/min</b>
<b>OIL PRESSURE</b>	<b>160 kp/cm2</b>
<b>WEIGHT</b>	<b>160 kg</b>